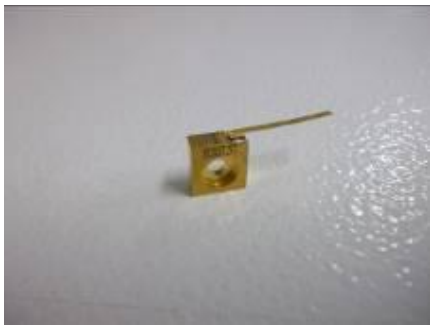


830nm 1200mW C-mount Laser Diode

Model: AL0830F1200C-09



Features:

- Output power: 1200mW
- Efficient quantum well structure
- Narrow emitting region
- Center Wavelength: 830nm
- Package: C-mount

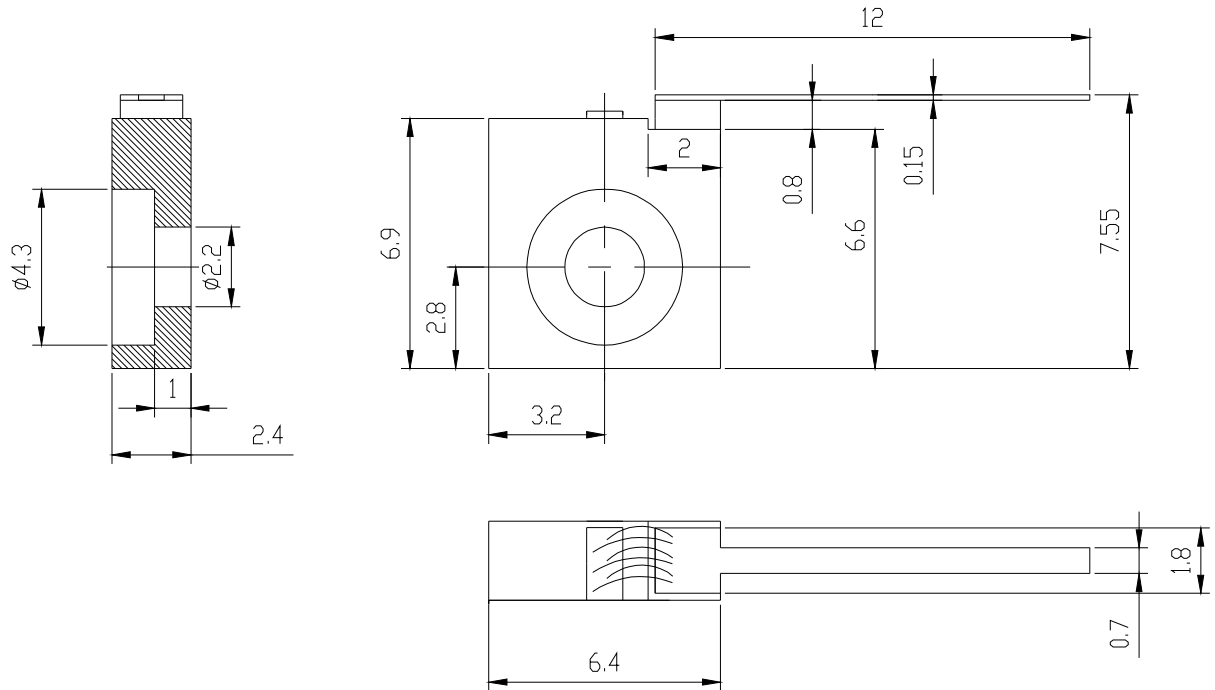
Absolute Maximum Ratings($T=25\text{ }^{\circ}\text{C}$)

Parameter	Symbol	Unit	Min	Max	Note
Reverse Voltage	V_r	V	-	2	-
Operating Temperature	T_o	$^{\circ}\text{C}$	10	30	
Storage Temperature	T_{stg}	$^{\circ}\text{C}$	10	85	
Solder Temperature	S_{temp}	$^{\circ}\text{C}$	-	260	10 seconds max

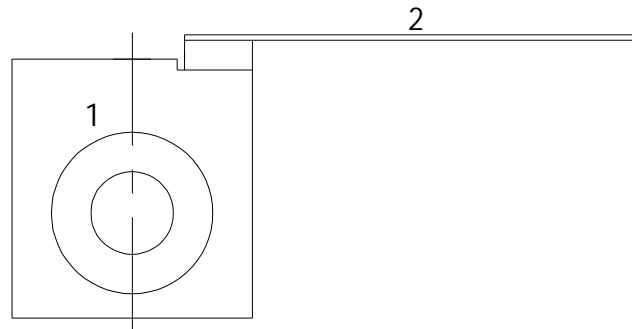
Electro-Optical Characteristics($T=25\text{ }^{\circ}\text{C}$)

Parameter	Symbol	Unit	Min	Typ	Max	Test Condition
Optical output power	P_o	mW	1200	-	-	$I_{op}=1400\text{mA}$
Center wavelength	λ_c	nm	822	832	842	$P_o=1200\text{mW}$
Spectral width	$\Delta\lambda$	nm	-	3	4	FWHM, $P_o=1200\text{mW}$
Threshold current	I_{th}	mA	-	200	280	
Operating current	I_{op}	mA	-	1300	1400	
Operating voltage	V_f	V	1.6	-	2.2	$P_o=1200\text{mW}$
Slope Efficiency	η	W/A	-	1.1	-	
Beam divergence	$\theta_{\perp} \times \theta_{//}$	$^{\circ}$	-	40×12	-	FWHM
Wavelength temperature coefficient	$d\lambda/dT$	nm/ $^{\circ}\text{C}$	-	0.3	-	-
Emitting area	-	μm	50 \times 1			-
Polarization	-	-	TE			-

Outline Drawings (in mm):



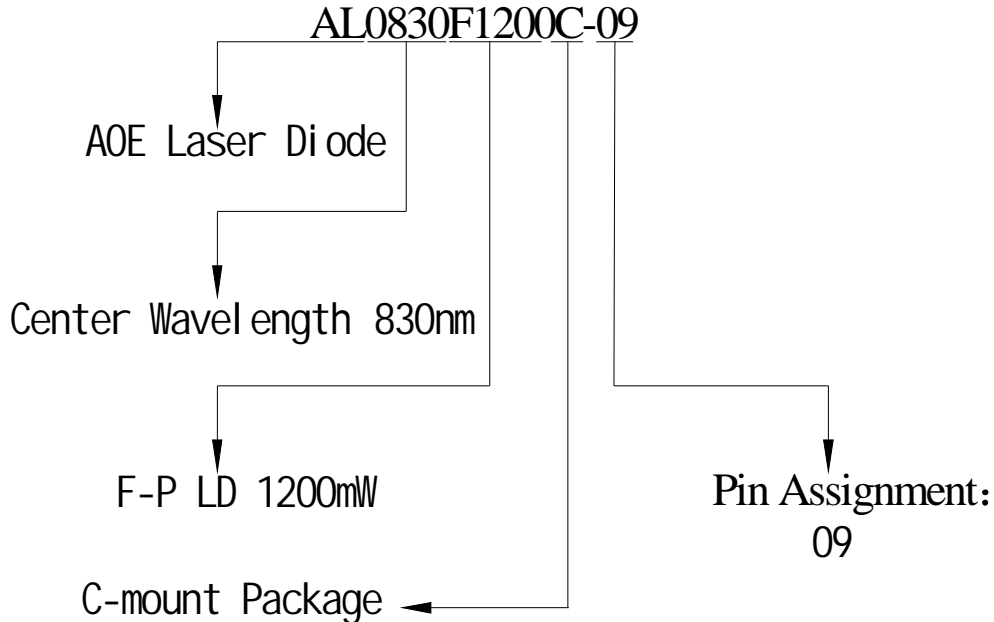
Pin Assignment:



Type \ Pin	1	2
09	LD Anode	LD Cathode



Ordering information:



Precaution:

- (1) The laser diodes should be handled in the same manner as ordinary semiconductor device to prevent the electro-static damages. For safety keeping and carrying, the modules should be packaged with ESD proof material. For assembling, the workbench, the soldering iron and the human body should be grounded.
- (2) Please pay special attention to the atmosphere condition because the dew on the module may cause some damages.
- (3) Under such a strong vibration environment as in automobile, the performance and reliability are not guaranteed.
- (4) A voltage stabilizer should be taken into consideration for the power supply, and shock voltage should be avoided during the process of switching on and off of the supply in order to prevent the device from damaging.
- (5) Pay attention to the dust polluting. The device may be damaged when operating in atmosphere because the dust may be absorbed onto the region of lighting under the action of electric field.

Warning: Direct exposure of one's eyes to the laser beam or long time exposure of one's skin to the beam must be avoided.