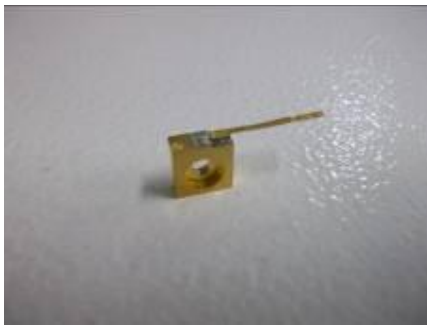


808nm 500mW C-mount Laser Diode

Model: AL0808F500C-09PS



Features:

- Output power: 500mw
- Efficient quantum well structure
- Low threshold current
- Center Wavelength: 808nm
- Package: C-mount
- Light beam shaping

Absolute Maximum Ratings($T=25\text{ }^{\circ}\text{C}$)

Parameter	Symbol	Unit	Min	Max	Note
Reverse Voltage	V_r	V	-	2	-
Operating Temperature	T_o	$^{\circ}\text{C}$	10	30	
Storage Temperature	T_{stg}	$^{\circ}\text{C}$	10	85	
Solder Temperature	S_{temp}	$^{\circ}\text{C}$	-	260	10 seconds max

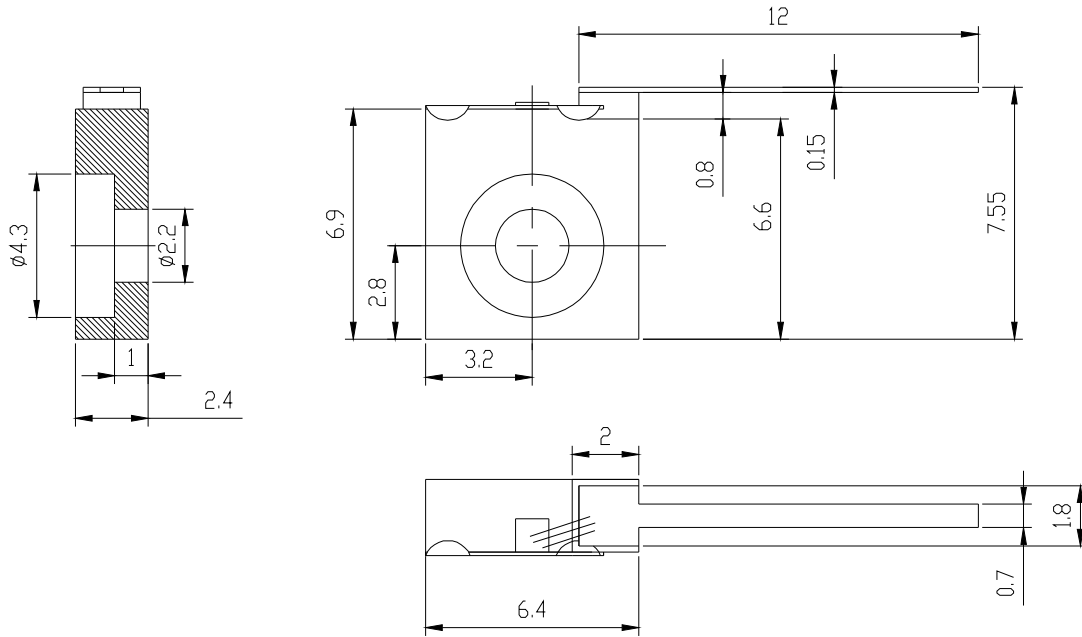
Electro-Optical Characteristics($T=25\text{ }^{\circ}\text{C}$)

Parameter	Symbol	Unit	Min	Typ	Max	Test Condition
Optical output power	P_o	mW	500	-	-	$I_{op}=650\text{mA}$
Center wavelength	λ_c	nm	805	808	811	$P_o=500\text{mW}$
Spectral width	$\Delta\lambda$	nm	-	-	5	FWHM, $P_o=500\text{mW}$
Threshold current	I_{th}	mA	-	120	150	
Operating current	I_{op}	mA	-	570	650	
Operating voltage	V_f	V		1.8	2	$P_o=500\text{mW}$
Slope Efficiency	η	W/A	-	1.1	-	
Beam divergence (fast axis collimated)	$\theta_{\perp} \times \theta_{//}$	$^{\circ}$	-	10 \times 12	-	FWHM
Beam divergence	$\theta_{\perp} \times \theta_{//}$	$^{\circ}$	-	40 \times 12	-	FWHM
Wavelength temperature coefficient	$d\lambda/dT$	nm/ $^{\circ}\text{C}$	-	0.3	-	-

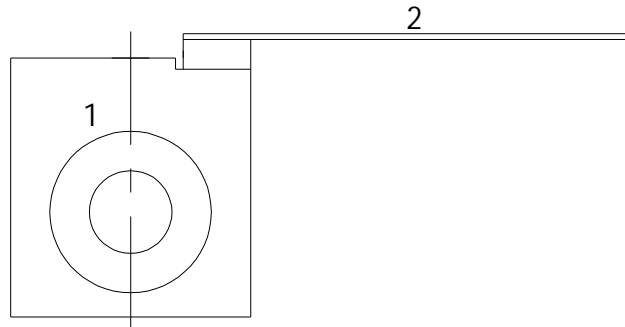


Emitting area	-	μm	50×1	-
Polarization	-	-	TE	-

Outline Drawings (in: mm)



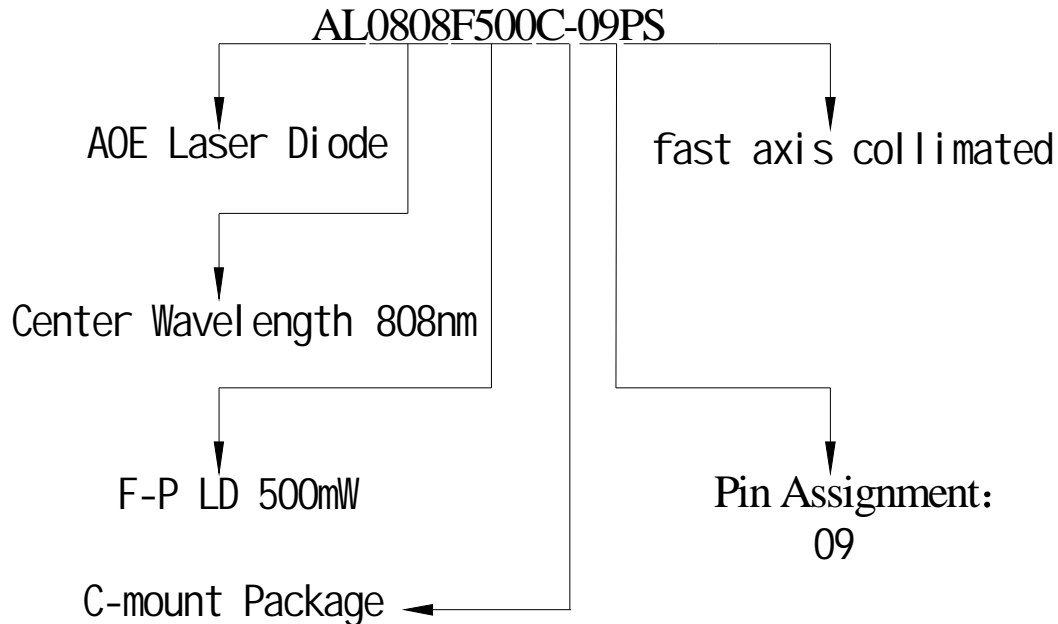
Pin Assignment:



Type \ PIN	1	2
09	LD Anode	LD Cathode



Ordering information:



Precaution:

- (1) The laser diodes should be handled in the same manner as ordinary semiconductor device to prevent the electro-static damages. For safety keeping and carrying, the modules should be packaged with ESD proof material. For assembling, the workbench, the soldering iron and the human body should be grounded.
- (2) Please pay special attention to the atmosphere condition because the dew on the module may cause some damages.
- (3) Under such a strong vibration environment as in automobile, the performance and reliability are not guaranteed.
- (4) A voltage stabilizer should be taken into consideration for the power supply, and shock voltage should be avoided during the process of switching on and off of the supply in order to prevent the device from damaging.
- (5) Pay attention to the dust polluting. The device may be damaged when operating in atmosphere because the dust may be absorbed onto the region of lighting under the action of electric field.

Warning: Direct exposure of one's eyes to the laser beam or long time exposure of one's skin to the beam must be avoided.