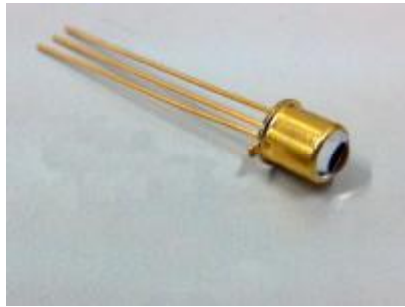


## 1000 $\mu$ m Si PD TO-CAN

**Model: AP-S0411T1000TO46-BBL-A**



### Features:

- Wide dynamic range
- High Speed Sensitivity
- Low Capacitance
- Low Dark Current
- To-46 package

### Product Specifications:

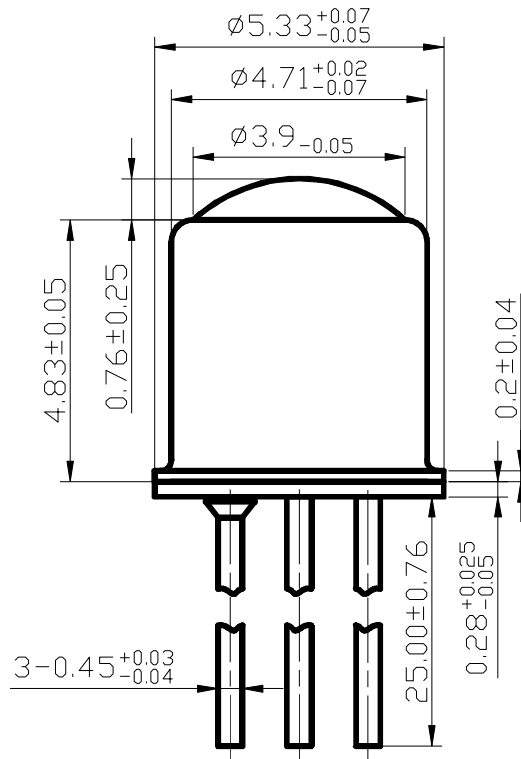
#### Absolute Maximum Ratings

Parameter	Symbol	Min	Max	Unit
Operation Temperature Range	T <sub>OP</sub>	-40	85	°C
Storage Temperature Range	T <sub>stg</sub>	-40	85	°C
Reverse Voltage	V <sub>R</sub>		60	V
Reverse Current	I <sub>R</sub>		5	mA
Forward Current	I <sub>F</sub>		1	mA
Soldering temperature(<10sec)	S <sub>temp</sub>		260	°C

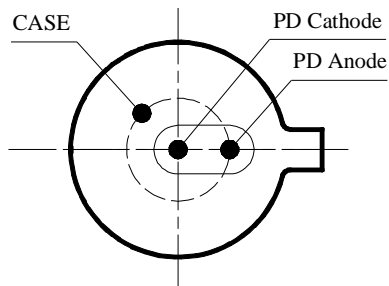
#### Electrical/Optical Characteristics (25°C)

Parameter	Symbol	Test Conditions	Min	Typ	Max	Unit
Active Area	$\Phi$	—	—	1000	—	$\mu$ m
Optical Wavelength Range	$\lambda$	—	400	—	1100	nm
Saturation power	Ps	$\leq 0.3\text{W}/\text{cm}^2$				
Dark Current	I <sub>d</sub>	V <sub>R</sub> = 0 V	—	—	2.0	nA
Responsibility	Resp	V <sub>R</sub> = 0 V, $\lambda=850\text{nm}$	0.40	0.50	—	A/W
Capacitance	C <sub>t</sub>	V <sub>R</sub> = -5 V, f=1MHz	—	—	10	PF
surface uniformity	—	$\lambda = 1300 \text{ nm}$	—	—	5%	—

**Outline Drawings (in mm)**



**PIN-OUT**



Type A (Bottom view)

**Ordering information:**

AP-S0411T1000TO46-BBL-A

BBL= Big ball lens cap



***Precaution:***

- (1) The modules should be handled in the same manner as ordinary semiconductor device to prevent the electro-static damages. For safety keeping and carrying, the modules should be packaged with ESD proof material. To assemble the modules on PCB, the workbench, the soldering iron and the human body should be grounded.
- (2) Please pay special attention to the atmosphere condition because the dew on the module may cause some electrical damages.
- (3) Under such a strong vibration environment as in automobile, the performance and reliability are not guaranteed.