

2.5Gbps InGaAs PIN-TIA TO-CAN

Model: APIT2500T08BL-A-2



Features:

- InGaAs PIN with trans-impedance
- High sensitivity
- Wide temperature range from -40°C to +85°C

Product Specifications:

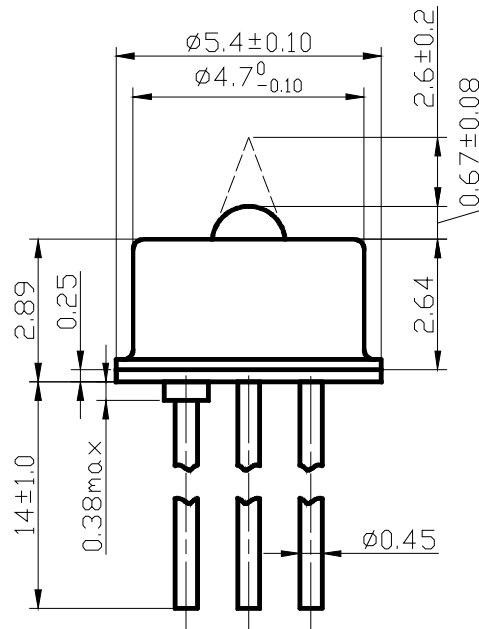
Absolute Maximum Ratings(T=25°C)

Parameter	Symbol	Unit	Min	Max	Note
Operating Temperature	T _{OP}	°C	-40	85	
Storage Temperature	T _{syg}	°C	-40	100	
Solder Reflow Temperature		°C		260	10 seconds max
Power Supply Voltage	V _P	V		5.5	

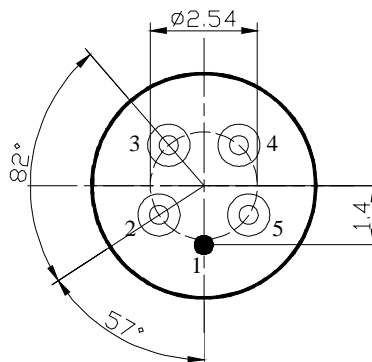
Electro-Optical Characteristics(T=25°C, unless noted otherwise)

Parameter	Symbol	Unit	Min	Typ	Max	Test Condition
Supply Voltage	V _{cc}	Volts	3.0	3.3	5.5	
Supply Current	I _{cc}	mA	13	18	23	No load, V _{cc} =3.3V
Output Voltage (differential)	V _{out}	mV		140	270	P _{in} = -15dBm R _L =100 Ω
Wavelength Range	λ	nm	1100		1650	
Saturated Optical Power	P _{sat}	dBm	0			2.5Gb/s, λ=1310nm, E R=9, BER=10 ⁻¹⁰ PRBS=2 ²³ -1
Dark Current	I _d	nA			1	
-3dBm Bandwidth	BW	GHz	1.4			R _L = 50Ω
Sensitivity	Sen.	dBm			-23	2.5Gb/s, λ=1310nm, E R=9, BER=10 ⁻¹⁰ PRBS=2 ²³ -1

Outline Drawings (in mm):



PIN-OUT



Pin-out Assignment	
Number	"08"
1	Gnd
2	DOUT(+)
3	V _{CC}
4	I _{mon}
5	DOUT(-)



Ordering information:

APIT2500T08BL-A-2

PIT: PIN-TIA

2500: 2.5Gbps

05: Pin-out, see table

BL: TO52 cap

A: "A"= height 2.64mm and focal length 2.6 ± 0.2 mm

-2=TIA Type

If the focus is inappropriate, Please contact us. We can change the focus within a certain range.

Precaution:

- (1) The modules should be handled in the same manner as ordinary semiconductor device to prevent the electro-static damages. For safety keeping and carrying, the modules should be packaged with ESD proof material. To assemble the modules on PCB, the workbench, the soldering iron and the human body should be grounded.
- (2) Please pay special attention to the atmosphere condition because the dew on the module may cause some electrical damages.
- (3) Under such a strong vibration environment as in automobile, the performance and reliability are not guaranteed.